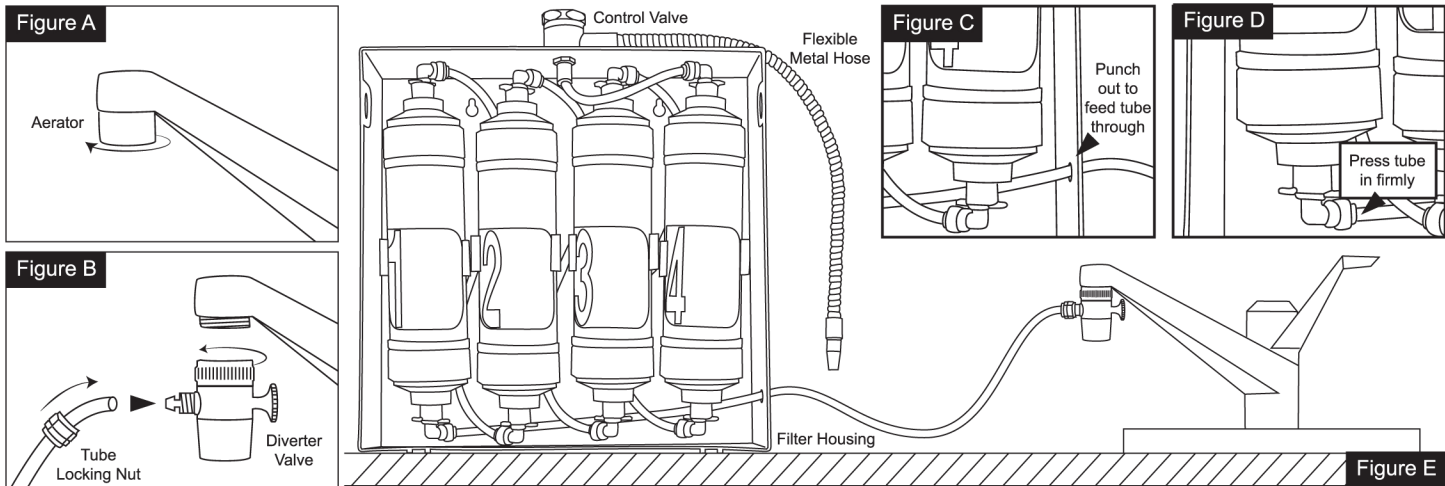
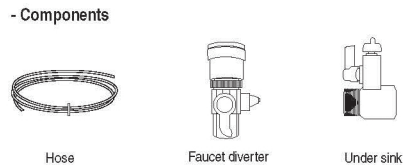
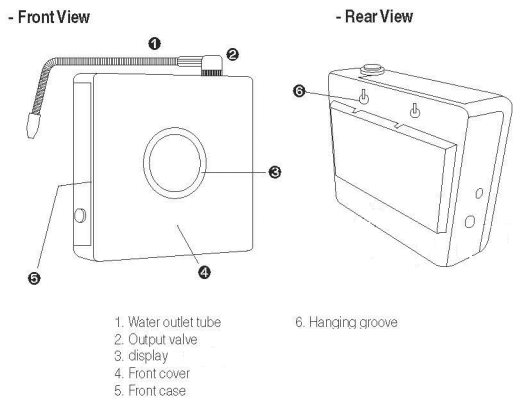


# COUNTERTOP TOP INSTALLATION & FILTER CHANGE

Boxes contain: 1 filter housing with lid, 4 filters (1 ea. of 1, 2, 3, & 4) pre-installed into filter housing, 1 flexible metal hose, 1 faucet diverter valve with tube locking nut, and a length of ¼" white plastic tubing.



1. Unscrew the faucet aerator. Standard faucet aerators simply unscrew (Figure A). A wrench may be needed to loosen the aerator if it cannot be done by hand.
2. Fasten the diverter onto the faucet in place of the aerator (Figure B). Slide the tube locking nut onto one end of tubing. Press tubing onto diverter valve as far as it will go and secure it by sliding the tube locking nut onto the diverter valve and screwing the locking nut on as tightly as possible.
3. Punch out one of the outlets on the housing (left or right side, according to preference). Pull tubing attached to faucet through and securely press into the bottom compression coupling of the "1" filter. (Figure C & D)
4. The circuit is now complete. Test all connections in the set up. Retighten connections if necessary.
5. Turn the control valve on the system to the "ON" position (ALWAYS leave open to avoid pressure build up). Turn on your faucet (do NOT exceed a ¼" stream and never use hot water—excessive pressure or heat prevents proper filtration). Turn the diverter valve and carefully examine the set up for any leaks. Adjust if necessary.
6. The first time you run water you will notice a delay as the filters fill up. When water comes out it will be black and flushing carbon that loosened during shipping for a few minutes. Let water flow for 3-5 minutes. When the water clears up the filter will be ready for use.



To change filters it is necessary to release the tube by pressing on the circular friction grip that is built into the couplers and elbows.

